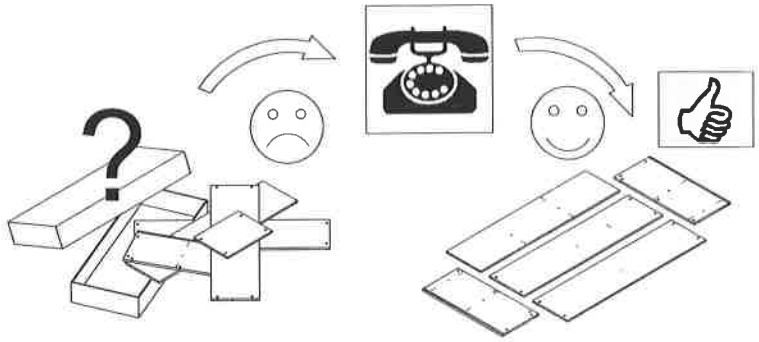
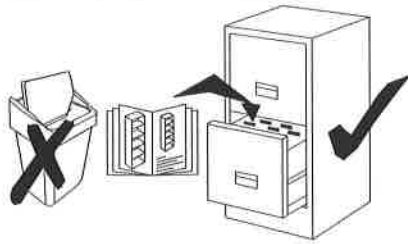


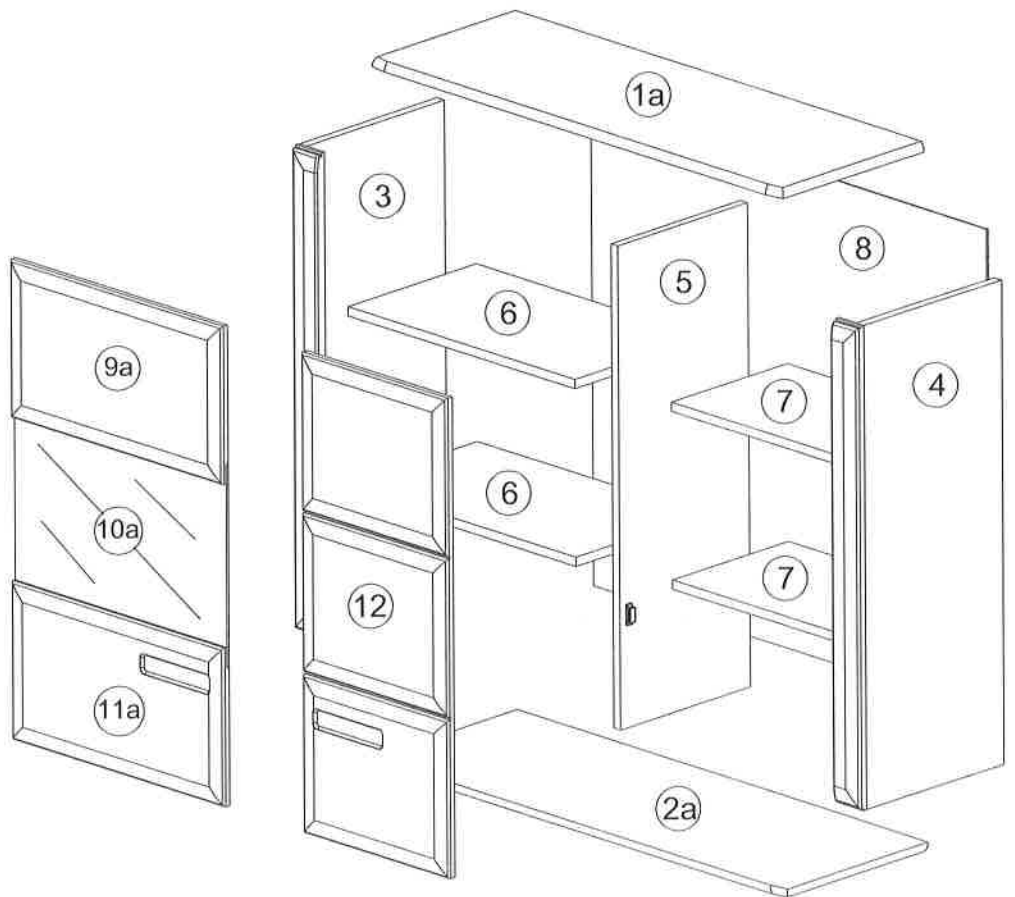
Service

07.05.2018

| | |
|------|----------------------------|
| Name | SENA |
| Typ | T 40 - HÄNGEELEMENT |



- ①a 1064×373×19
- ②a 1064×373×19
- ③ 942×368×19
- ④ 942×368×19
- ⑤ 942×337×18
- ⑥ 587×333×18
- ⑦ 415×300×18
- ⑧ 958×1038×3,2
- ⑨a 545×308×20
- ⑩a 396×544×5
- ⑪a 545×208×20
- ⑫ 375×934×20



| | | | |
|----------------------------|---------------------------|----------------------------|--------------------------------|
| HR | HL | | |
| PR | B7 Ø7/9×5mm | | |
| B1 Ø8×32 mm | W1 | S5L 4x16 mm | PM4 M4 PVC Ø12/4 |
| EX Ø15x12 mm | RW | S2 3,5x16 mm | S5 4x16 mm |
| T1 | BP | SE4 | S6 4x30 mm |
| | | | PL |
| | | | HT 27×60mm |
| | | | C2 |
| | | | M2 M4x20 mm |
| | | | ZR |
| | | | D9 |
| | | | Mag |

07.05.2018

TYPE T-40 HÄNGEELEMENT

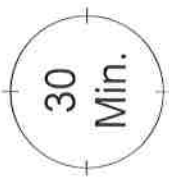
SENA

Modellname:

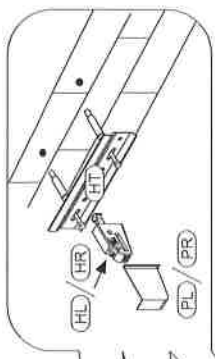
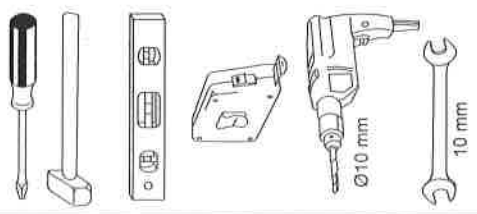
1/1



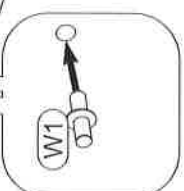
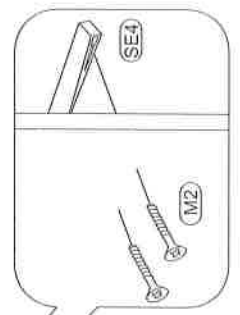
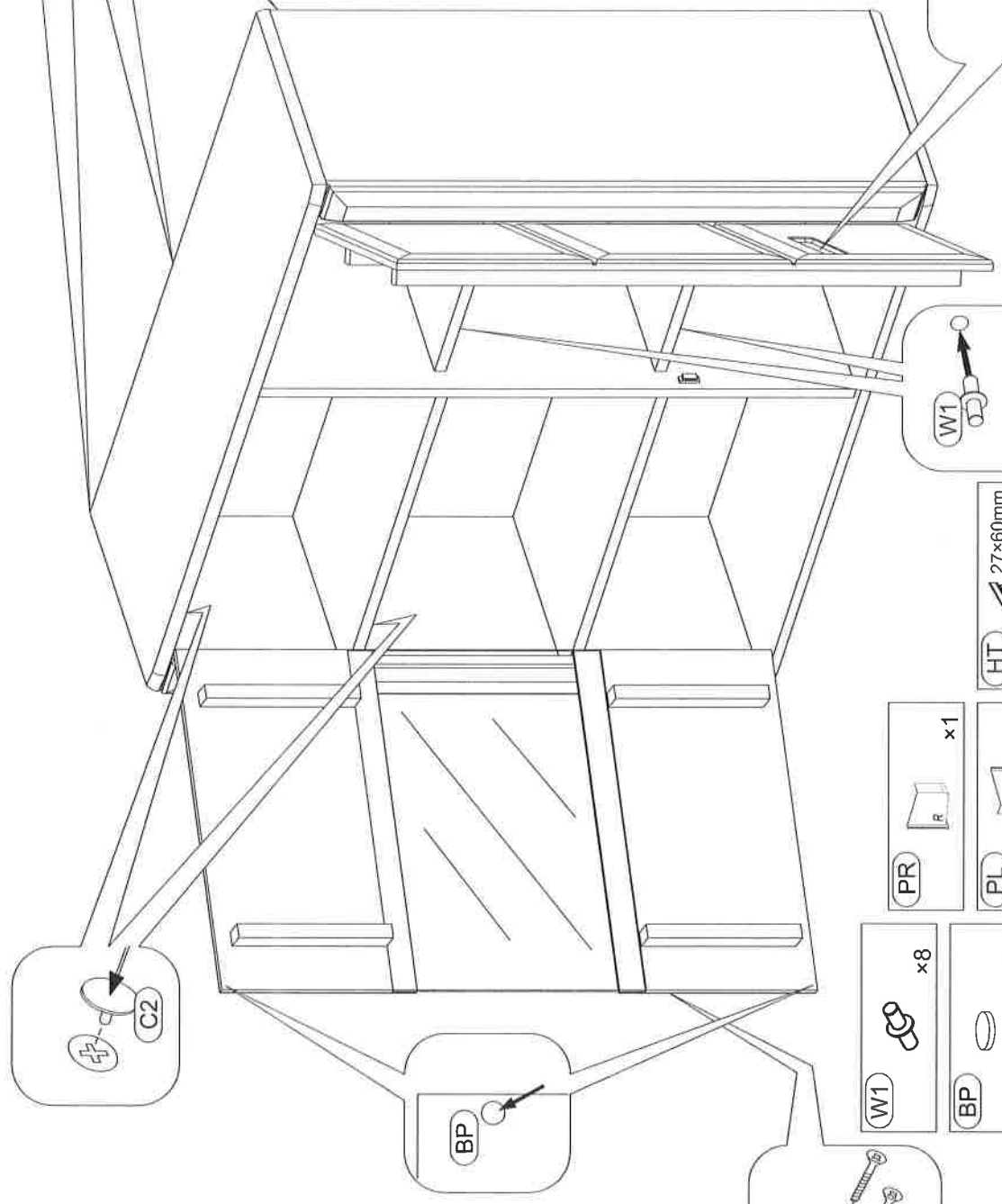
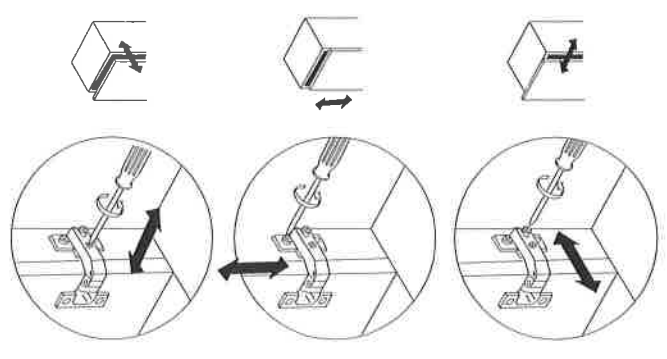
1 Person



30 Min.



Achtung:
Geeignetes Wandbefestigungsmaterial
gegen Kippen erhalten Sie im Fachhandel



| | | | | | | | |
|----|----|----|----|----|------------|-----|-------------|
| W1 | x8 | PR | x1 | HT | 27x60mm x3 | M2 | M4x20 mm x4 |
| BP | x4 | PL | x2 | C2 | x20 | SE4 | x2 |