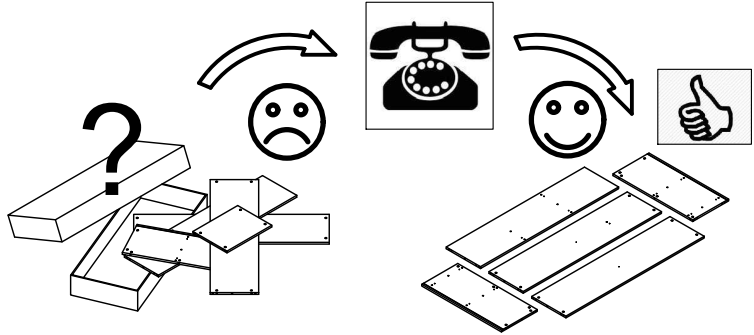
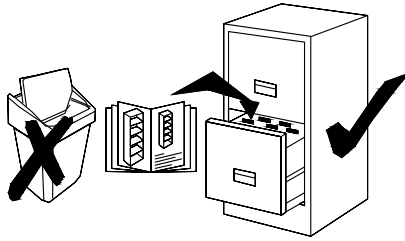


Service

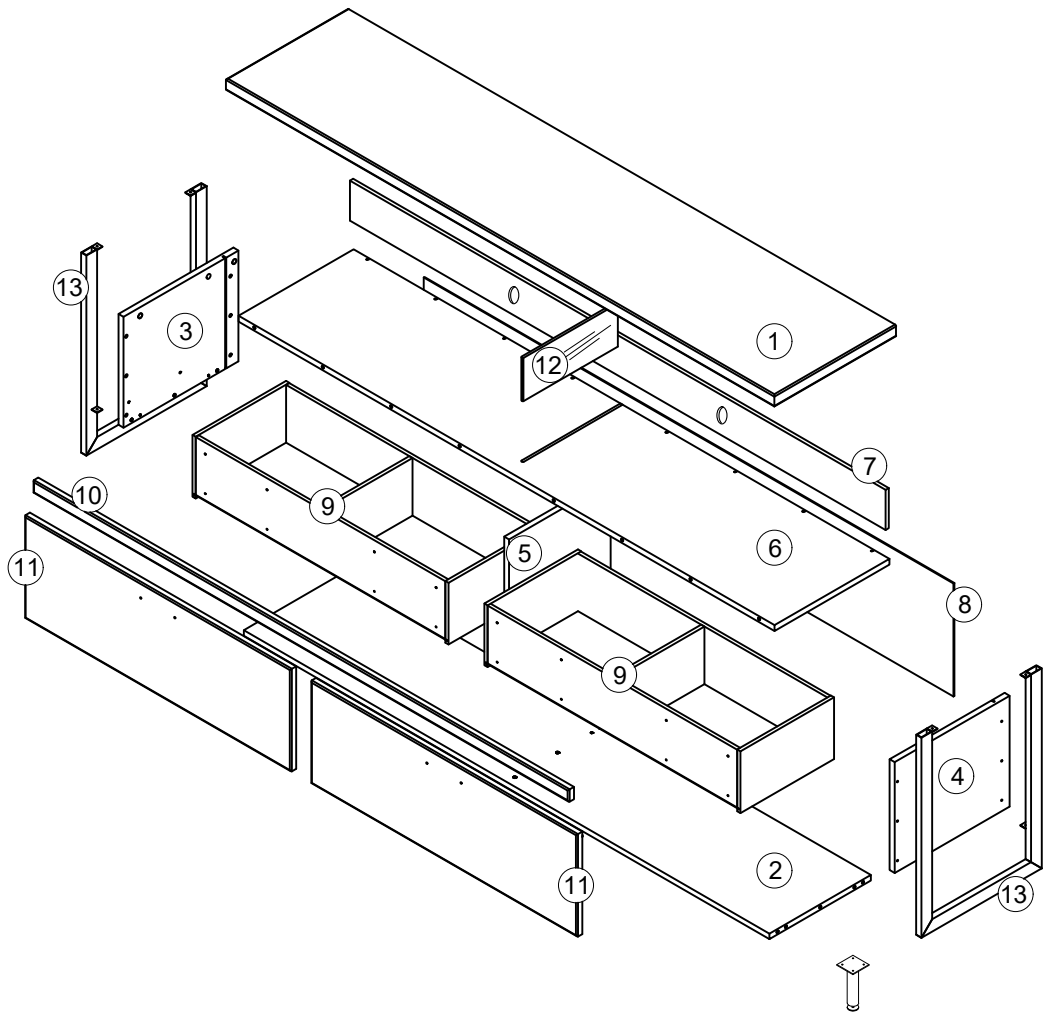
10.11.2020.

Name **SALERNO**

Typ **T 30 - TV ELEMENT**



- ① 2052×455×38
- ② 1966×380×18
- ③ 359×430×19
- ④ 359×430×19
- ⑤ 340×380×19
- ⑥ 2005×430×19
- ⑦ 2004×130×19
- ⑧ 366×1982×3
- ⑨ 958×350×200
- ⑩ 2004×40×20
- ⑪ 996×332×20
- ⑫ 355×141×8
- ⑬ 648×450×40
- ⑭ 140×40×40



D1 Ø8x32 mm	MF 140x40x40mm
-----------------------	--------------------------

D2 Ø6x32 mm	S1-20 3,0x20mm	S2-16L 4x16 mm
-----------------------	--------------------------	--------------------------

EX1 Ø15x12 mm	S-16 3,5x16 mm	S2-32M 4x32 mm	C2	PG mat black 128 mm
-------------------------	--------------------------	--------------------------	-----------	-------------------------------

T1	S-25 3,5x25 mm	ES 6,3x13 mm	ST	M25 M4x25 mm
-----------	--------------------------	------------------------	-----------	------------------------

R35-Hettich 350mm	S-35 3,5x35 mm	B	FI filz	KL 30x30mm
-----------------------------	--------------------------	----------	-------------------	----------------------

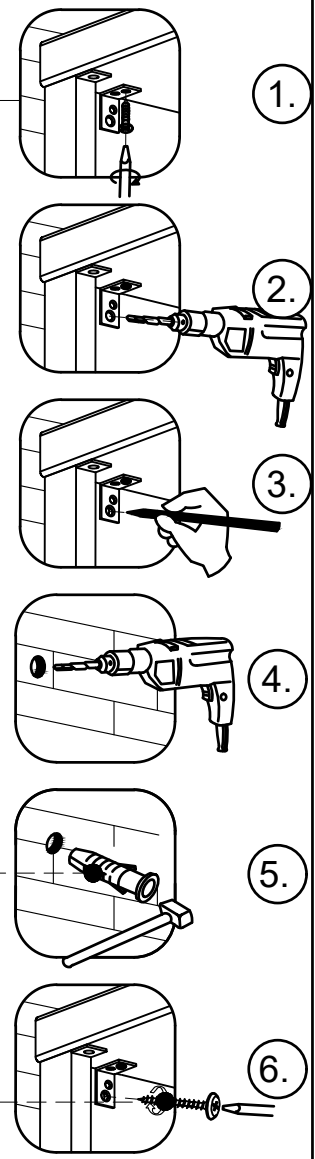
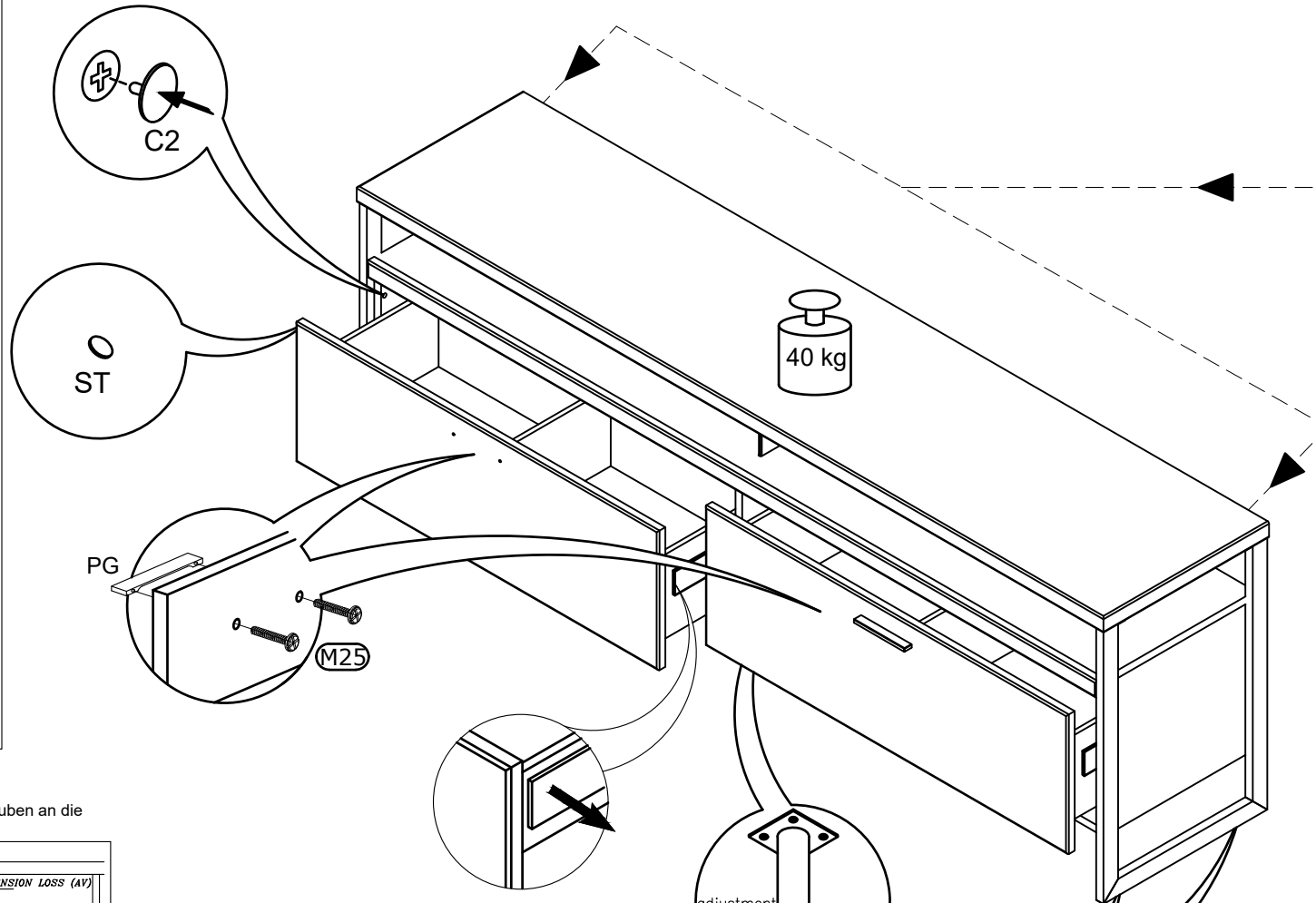
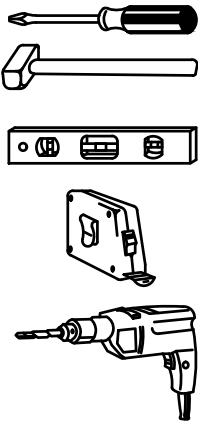
Modellname: **SALERNO**

MONTAGEANLEITUNG
TYPE T30 - TV ELEMENT

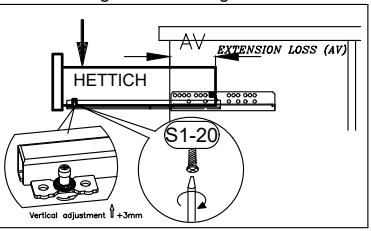


2 Person

20
Min.



Schublade mit 3x20mm schrauben an die Unterführungschine befestigt



PG mat black 128 mm x 2	C2 x 3	FI filz x 4
M25 M4x25 mm x 4	ST x 4	KL 30x30mm x 2
		S-16 3,5x16 mm x 2

